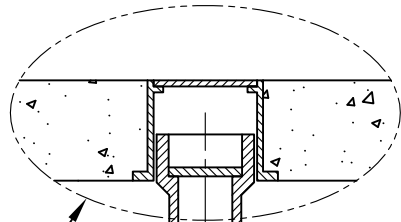


DETAIL "A"

CLEANOUT FRAME AND COVER (SEE NOTE 3)

PACK ANGULAR SPACE WITH JUTE AND SEAL WITH 1/2" THICK(MIN) SEALANT

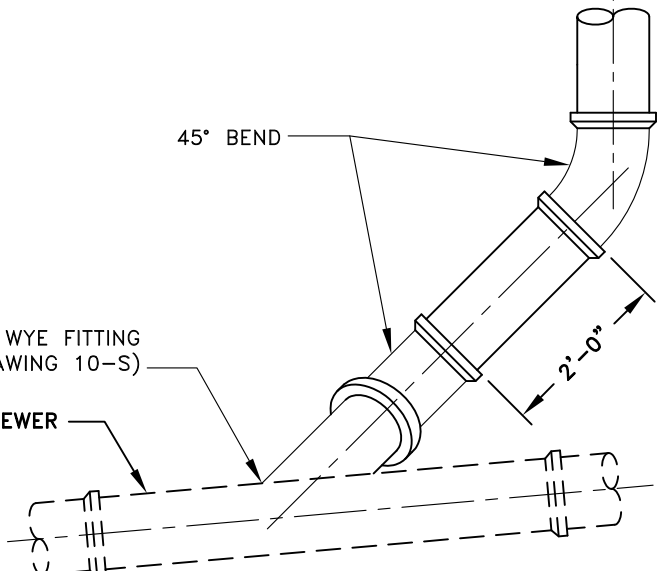


SEE DETAIL "A"

45° BEND

MANUFACTURED WYE FITTING (SEE DRAWING 10-S)

EXISTING SEWER



NOTE 1: ALL CLEANOUTS MUST BE INSTALLED IN ACCORDANCE TO UNIVERSAL PLUMBING CODE (UPC) 707 AND 719.

NOTE 2: CVWD DOES NOT CLAIM OWNERSHIP OR RESPONSIBILITY OF AN CLEANOUTS LOCATED ON PRIVATE PROPERTY. THE INSTALLATION AND MAINTENANCE OF CLEANOUTS IS THE RESPONSIBILITY OF THE PROPERTY OWNER AND MUST BE DONE IN COMPLIANCE WITH UPC 707 AND 719.

NOTE 3: 10" DIA CLEAR OPENING FOR 4" ID PIPE
12" DIA CLEAR OPENING FOR 6" ID PIPE
14" DIA CLEAR OPENING FOR 8" ID PIPE

CRESCENTA VALLEY WATER DISTRICT



SCALE: NTS	STANDARD CLEANOUT	DATE: 04/18/2008	
DRAWN BY: B YARED		JOB NO.	DWG NO.
APP'VD BY: D GOULD		-	30-S