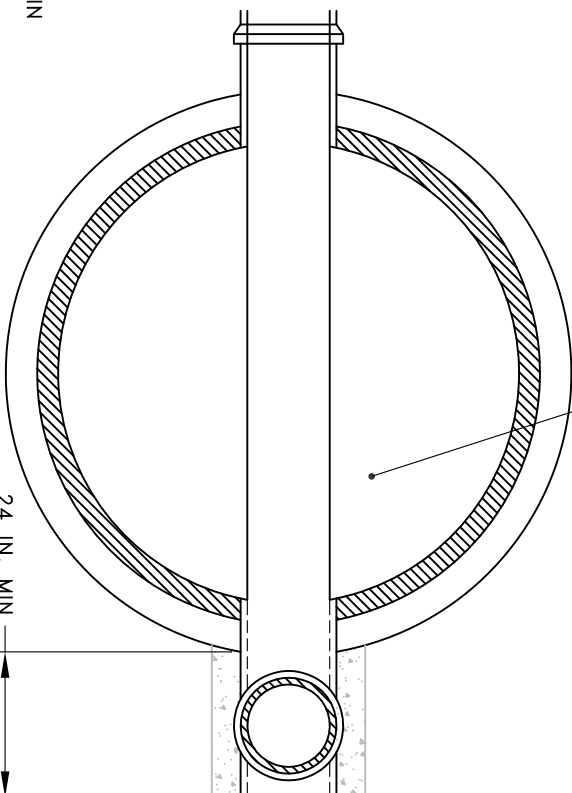


SEE NOTE 1

CLEANOUT COVER AND PLUG
SEE DRAWING 30-S

BACKFILL SHALL BE DONE
PER SEC. 306-1.3.1 OF THE
STD. SPECS. FOR PUBLIC
WORKS CONSTRUCTION.

SLOPE SHELF 1 IN.
PER 1 FT. TOWARDS
THE CHANNEL



SECTION A-A

24 IN. MIN

6-8 IN. FROM O.D.

ADJUST PIPE SIZE
TO MATCH SEWER

SEE NOTE 1

- NOTE 1: CONCRETE SUPPORT CLASS 560-C-3250 PER SECTION 201-1.1.2 SSPWC
- NOTE 2: ALL NEW OPENINGS CONSTRUCTED INTO MANHOLES SHALL BE CORE DRILLED.
- NOTE 3: FOR MANHOLE COVER AND MORTAR SHELF DETAILS SEE DRAWING 20-S.
- NOTE 4: DROP MANHOLES ONLY ALLOWED WITH SPECIAL CONSIDERATION BY THE DISTRICT.

CRESCENTA VALLEY WATER DISTRICT



SCALE: NTS

DRAWN BY: B YARED

APP'VD BY: D GOULD

STANDARD DROP MANHOLE

DATE: 04/09/2008

JOB NO. -

DWG NO. 21-S