

47"X29" METER BOX W/  
COVER & LID (J & R  
CONCRETE PROD. #W8  
OR EQUAL)

2" BALL VALVE W/  
HANDLE (FORD B11-  
677 OR EQUAL)

2"X3" BRASS  
NIPPLE

2"X6"  
BRASS  
NIPPLE

2"X2"X1"  
BRASS TEE

2"X4" BRASS NIPPLE

2" FLEX METER COUPLING

2"X2"X1" BRASS TEE

2"X4" BRASS NIPPLE

2" BRASS 90° ELBOW

1" CURB STOP (SEE NOTE 4)

1" BRASS PLUG

1" X 4" BRASS NIPPLE

1-1/2"X 1" BRASS BUSHING RED.

2" TURBINE METER, PRECISION MULTI-JET  
TO BE PURCHASED FROM C.V.W.D. (SEE NOTE 3)

2" LOCKWING ANGLE METER STOP

SEE NOTE 1

CURB

PAVEMENT

7-1/2"

2"X4" BRASS NIPPLE

2" P.E. X M.I.P. ADAPTER  
(FORD C-86-77-125 OR EQUAL)

2" P.E. PLASTIC PIPE, CLASS 200  
(DRISCO OR EQUAL)

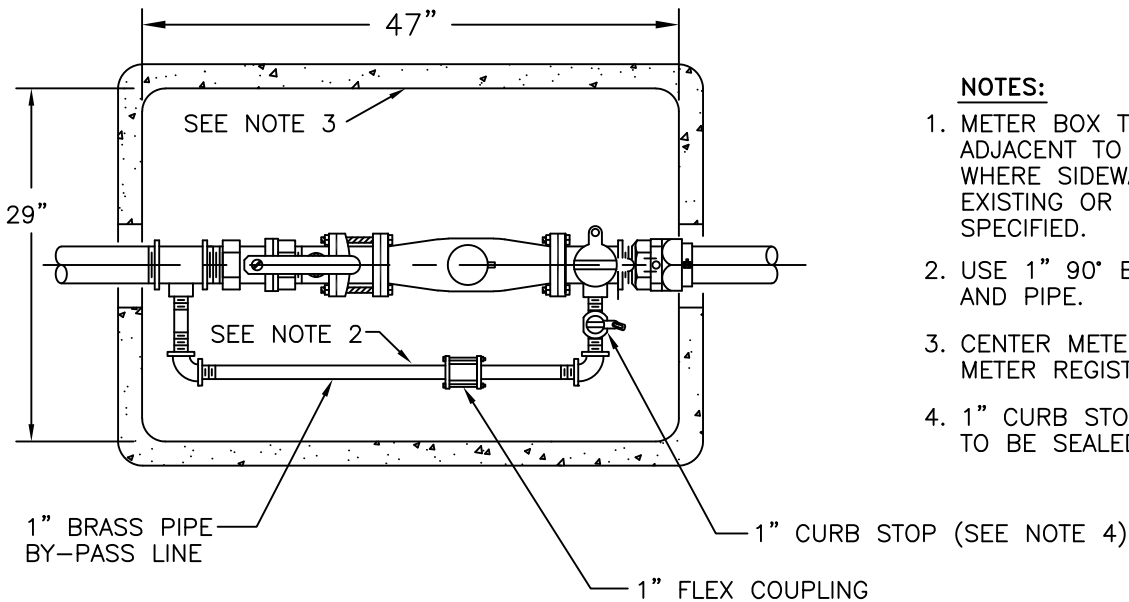
MAIN

2" P.E.X F.I.P. ADAPTER  
(FORD C-16-77-125 OR EQUAL)

2" CORP. STOP I.P.X I.P.  
(FORD 500 OR EQUAL)

2" STL. 3000# 1/2 COUPLING

**SIDE VIEW**



**PLAN VIEW**

**NOTES:**

1. METER BOX TO BE PLACED ADJACENT TO CURB EXCEPT WHERE SIDEWALKS ARE EXISTING OR OTHERWISE SPECIFIED.
2. USE 1" 90° BRASS ELBOWS AND PIPE.
3. CENTER METER BOX OVER METER REGISTER.
4. 1" CURB STOP WITH LOCKWING TO BE SEALED.

**CRESCENTA VALLEY WATER DISTRICT**

DRAWN: JAH  
DATE: 11/00

REV.  
7/02

W/ 2" TURBINE METER  
1" BY-PASS INSTALLATION

DWG. NO.  
10-07W