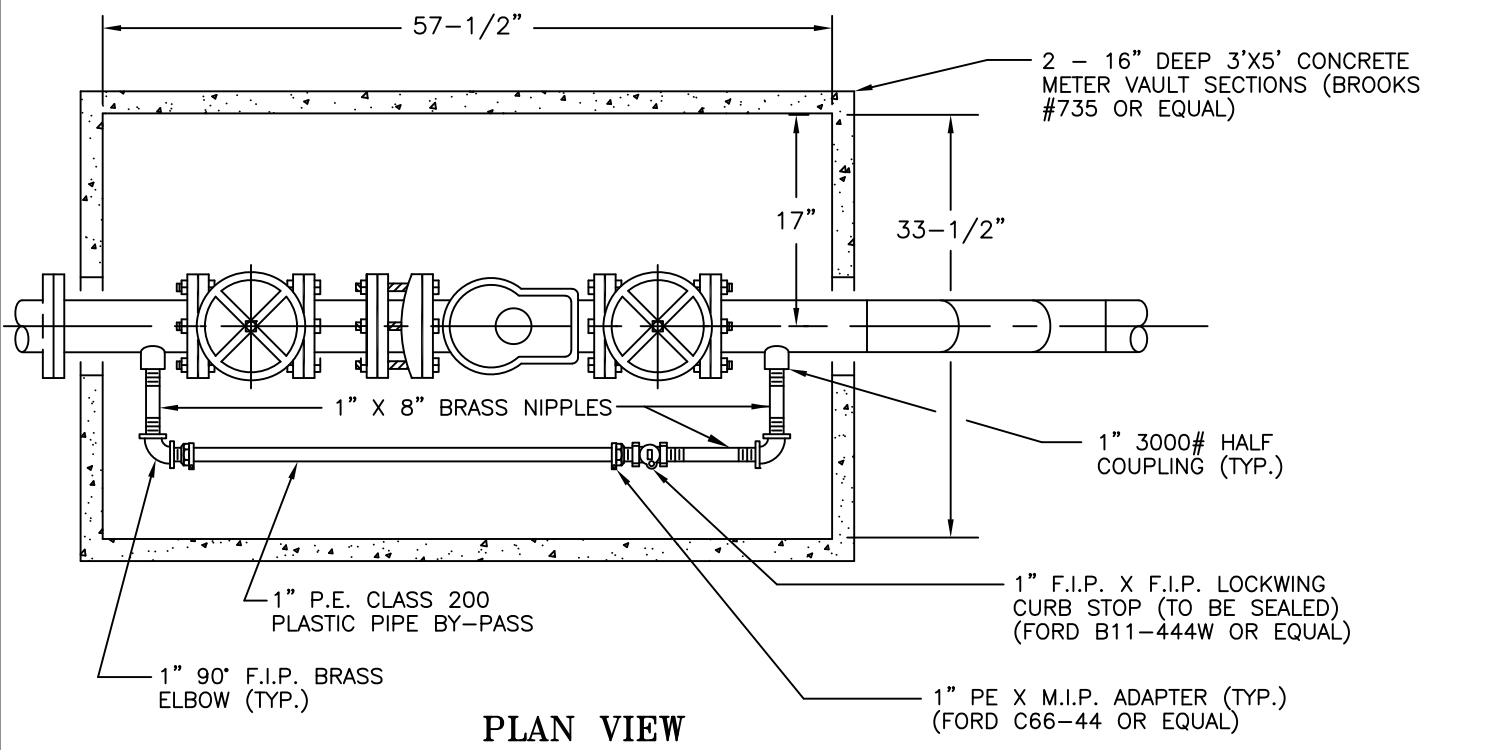


**SIDE VIEW**



**PLAN VIEW**

**CRESCENTA VALLEY WATER DISTRICT**

DRAWN: JAH	REV.	<b>4" COMPOUND METER W/1" BY-PASS INSTALLATION</b>	DWG. NO.
DATE: 6/10			10-06W